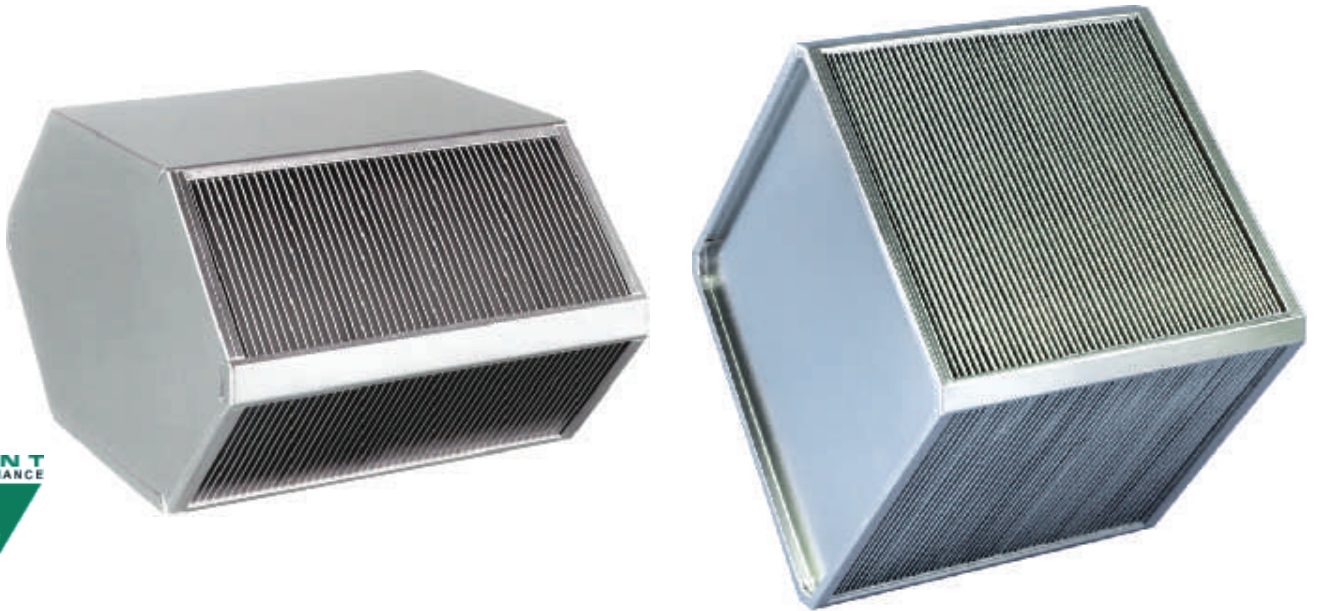


Unit 5 Image Business Park
East Cannock Road, Cannock, WS12 1LT
Tel: 0845 5578085 Fax: 01543 876582
www.warmairheaters.com
office@warmairheaters.com

Klingenberg recuperative plate heat exchangers

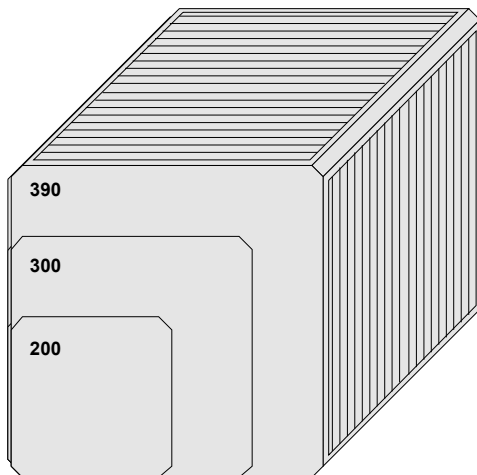


Crossflow plate heat exchanger

Type PWT 200-390

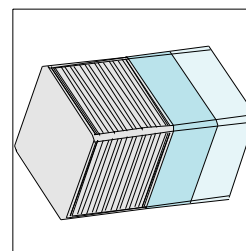
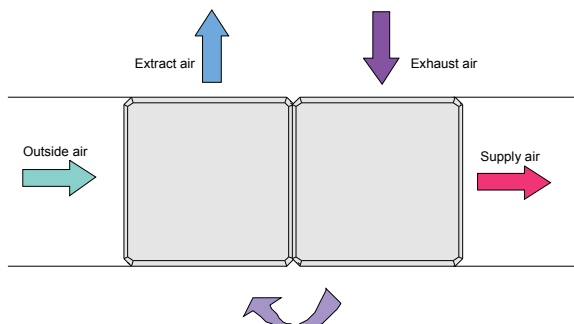
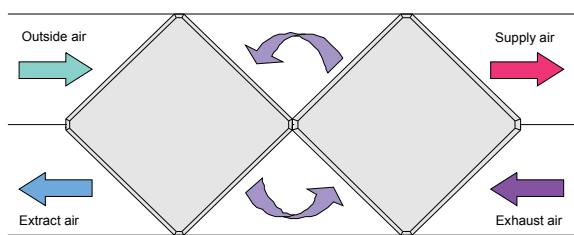
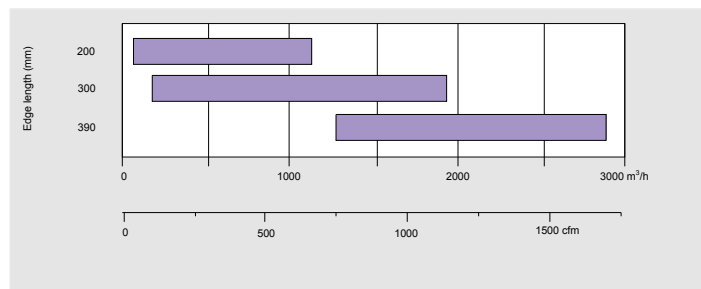
Energy savings of up to 60%

- Aluminium plates for enhanced life expectancy
- Optional epoxy coated plates for corrosive environments
- High efficiency due to unique embossed plate structures
- Special jointing technique for improved hygiene
- Total separation of supply and exhaust airstreams
- Suitable for applications up to 80°C

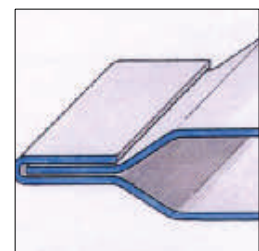


390mm	Efficiency up to 60%
300mm	Efficiency up to 60%
200mm	Efficiency up to 60%

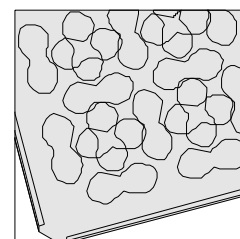
Efficiency depends on plate distance and air quantity



Modules can be grouped to give a comprehensive range of widths and edge length

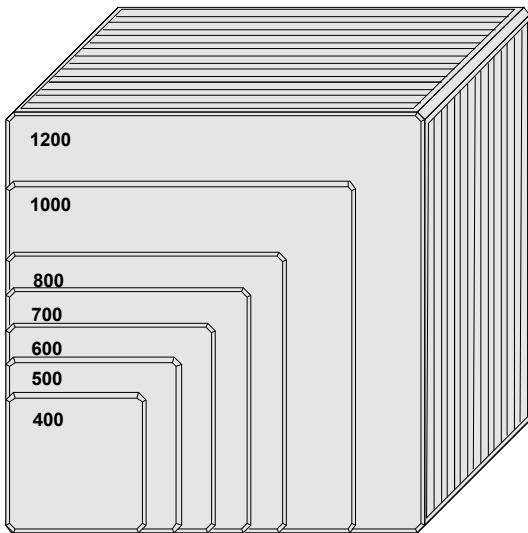


High tightness and strength thanks to folding of the intake-flow edges (threefold material thickness)



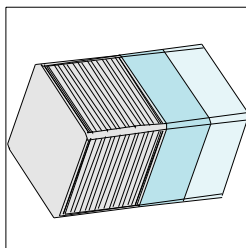
Embossed plates:- plate distances from 1.8 up to 3mm

Energy savings of up to 70%



1200mm	Efficiency up to 70%
1000mm	Efficiency up to 70%
800mm	Efficiency up to 70%
700mm	Efficiency up to 65%
600mm	Efficiency up to 65%
500mm	Efficiency up to 60%
400mm	Efficiency up to 60%

Efficiency depends on plate distance and air quantity



Modules can be grouped to give a comprehensive range of widths and edge length

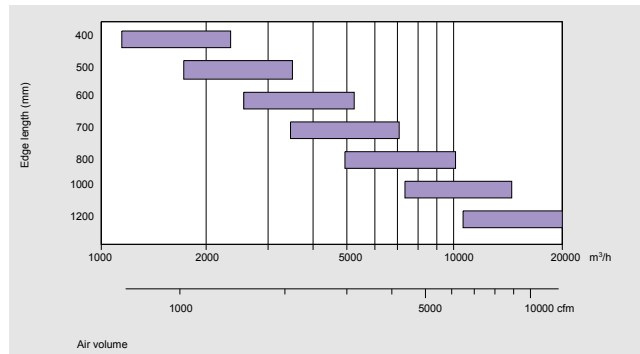
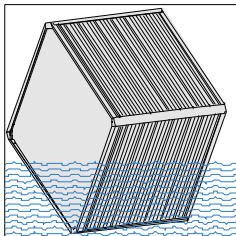
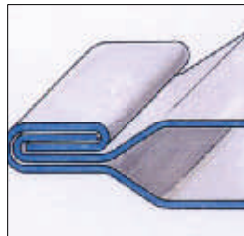


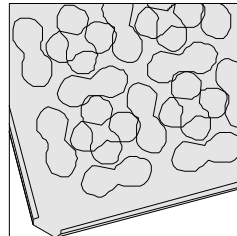
Plate structures and plate distances



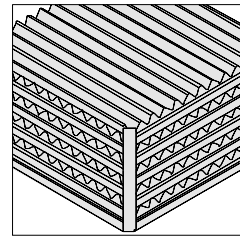
The heat exchangers consists of corrosion resistant aluminium plates



High tightness and strength thanks to double folding of the intake-flow edges (fivefold material thickness)



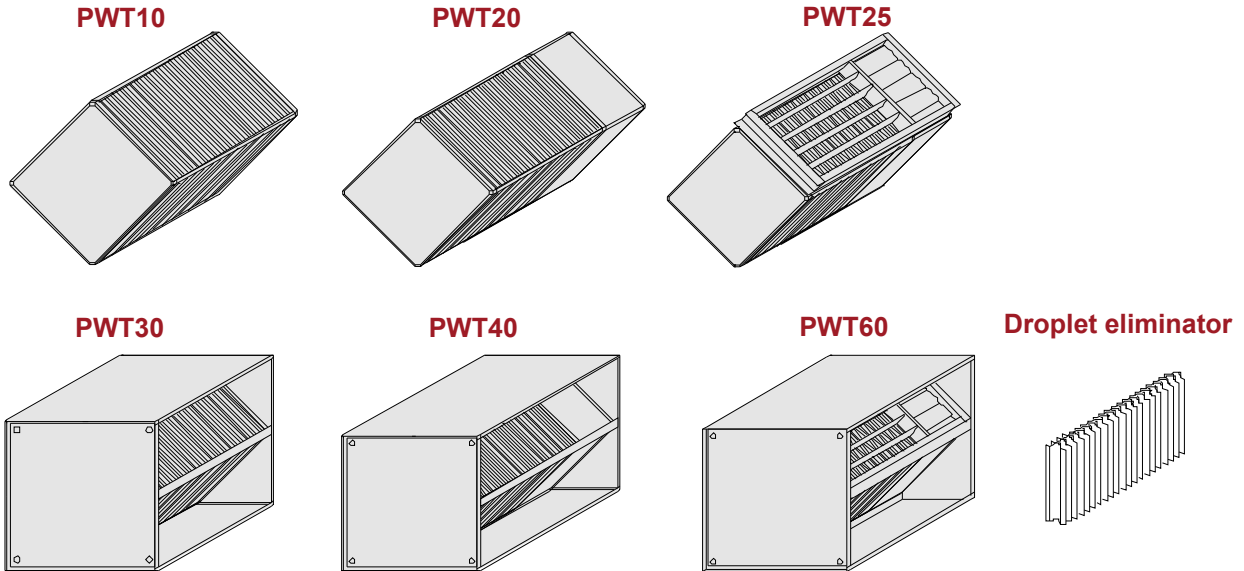
Embossed plates:- plate distances from 3.5 up to 14mm



Corrugated inserts:- plate distances from 8 up to 13mm

Crossflow plate heat exchanger

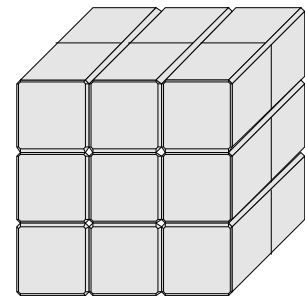
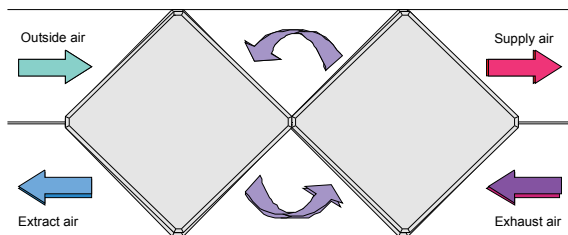
Types and optional accessories



All sizes are available as a basic heat exchanger or complete with an insulated /un-insulated housing. Housings are complete with condensate drain point. Units are also available with by-pass and optional face by pass damper (not applicable on heat exchanger matrix 200-390)

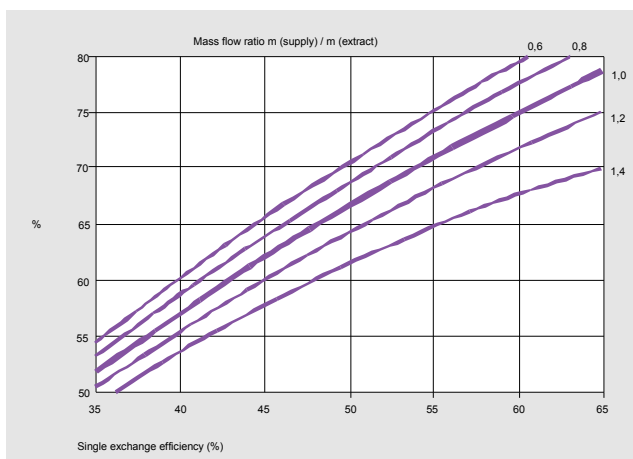
Cross / counterflow arrangement incorporating two PWTs

Two heat exchanger groups can be arranged in a cross / counterflow pattern to increase efficiency



The modular heat exchangers can be factory assembled to provide edge lengths up to 3000mm.

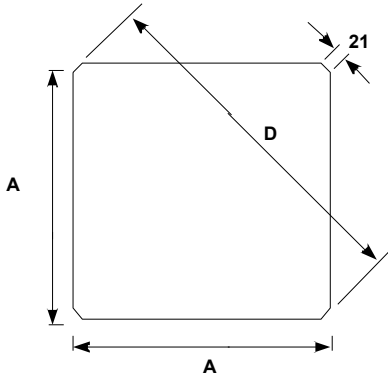
Diagram for determination of efficiency with two PWTs in a cross / counterflow pattern



The variations in size and plate sizing therefore allow heat exchanger selection to be optimised for size, efficiency, pressure drop and cost

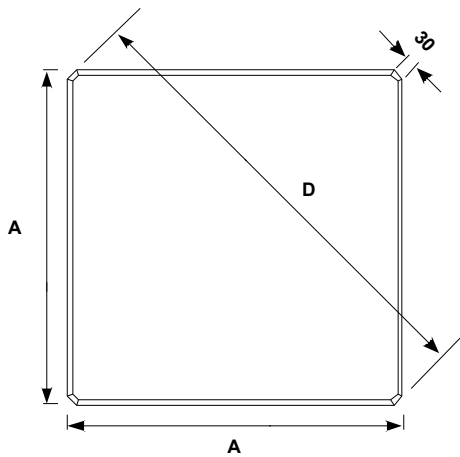
Alternatively modules can be supplied for site assembly

Dimensions



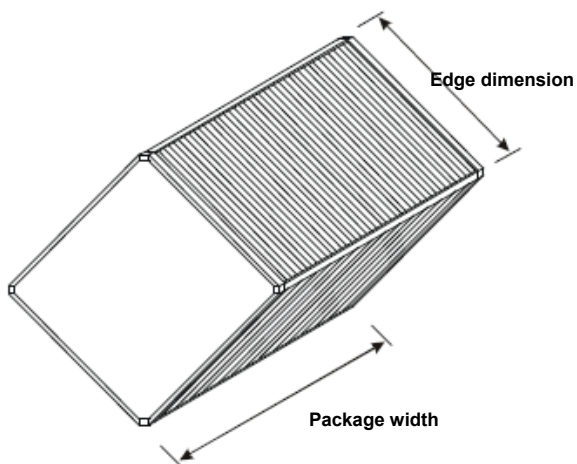
Type PWT 200-390

Type	A (mm)	D (mm)
PWT 200	200	265
PWT 300	300	405
PWT 390	390	531

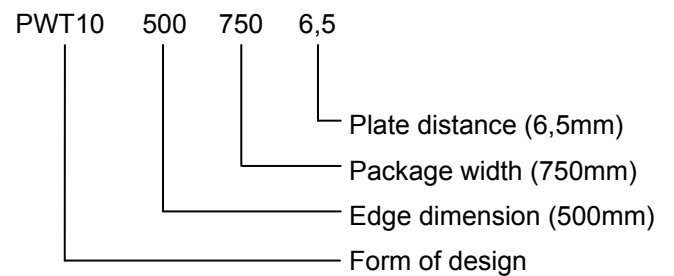


Type PWT 400-1000

Type	A (mm)	D (mm)
PWT 400	400	536
PWT 500	500	677
PWT 600	600	819
PWT 700	700	960
PWT 800	800	1101
PWT 1000	1000	1384
PWT 1200	1200	1667



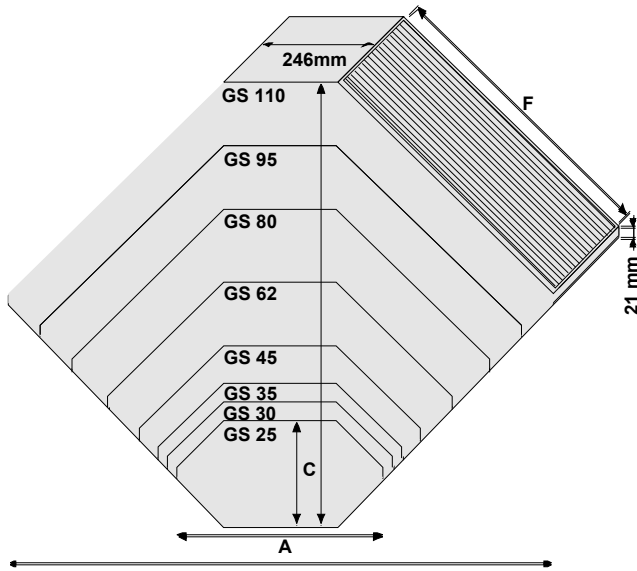
Example of product code:



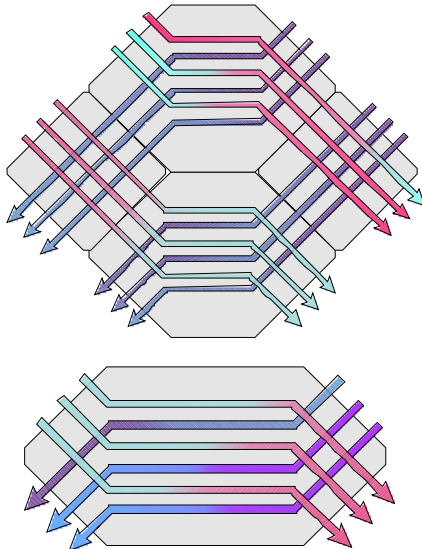
Counterflow plate heat exchanger

Type GS

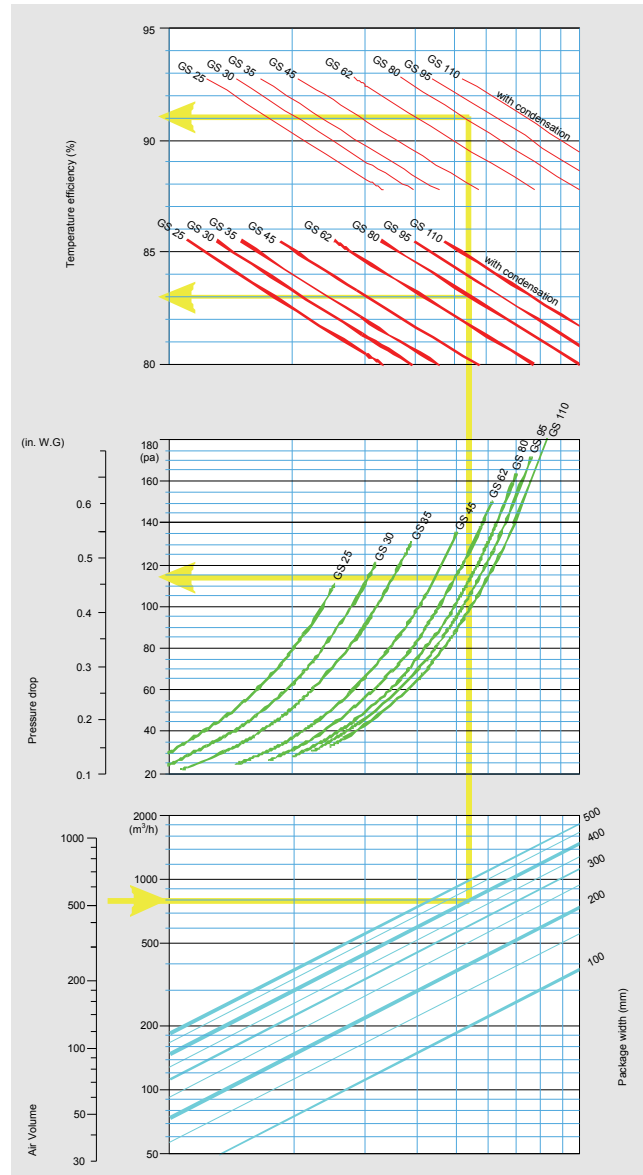
- Aluminium plates for enhanced life expectancy
- Optional epoxy coated plates for corrosive environments
- Optimised efficiency due to extended heat transfer surface
- Plate spacing 2mm
- Total separation of supply and exhaust airstreams
- Suitable for applications up to 80°C



Combination units are available for increased airflow capacity



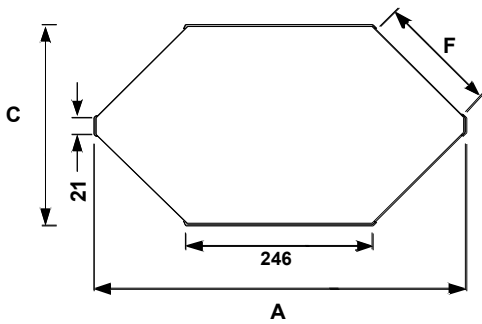
Energy savings of up to 95%



This diagram applies to supply and exhaust air mass flows equal

Dimensions

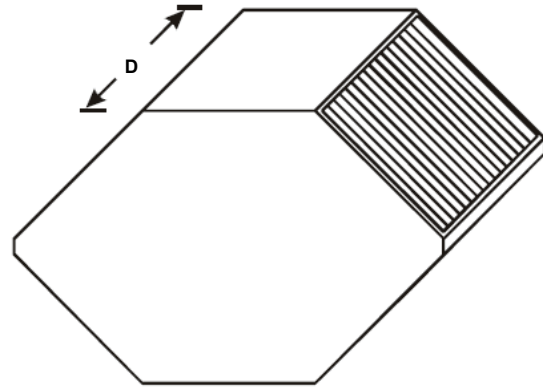
Counterflow plate heat exchanger type GS



Type	A (mm)	C (mm)	F (mm)
GS25	454	230	134
GS30	496	271	163
GS35	537	312	193
GS45	619	394	249
GS62	758	534	347
GS80	899	674	447
GS95	1040	815	547
GS110	1182	957	647

Example of product code:

GS 30 350
└──┬──┘
└──┬──┘ Package width (D = 350mm)
└──┬──┘ Size (GS 30)



 An AmbiRad Group brand

REZNOR UK LTD

Reznor UK Ltd Park Farm Road
Park Farm Industrial Estate Folkestone Kent
CT19 5DR

Telephone: 01303 259141
Facsimile: 01303 850002
Email: sales@reznor.co.uk
Website: www.reznor.co.uk

